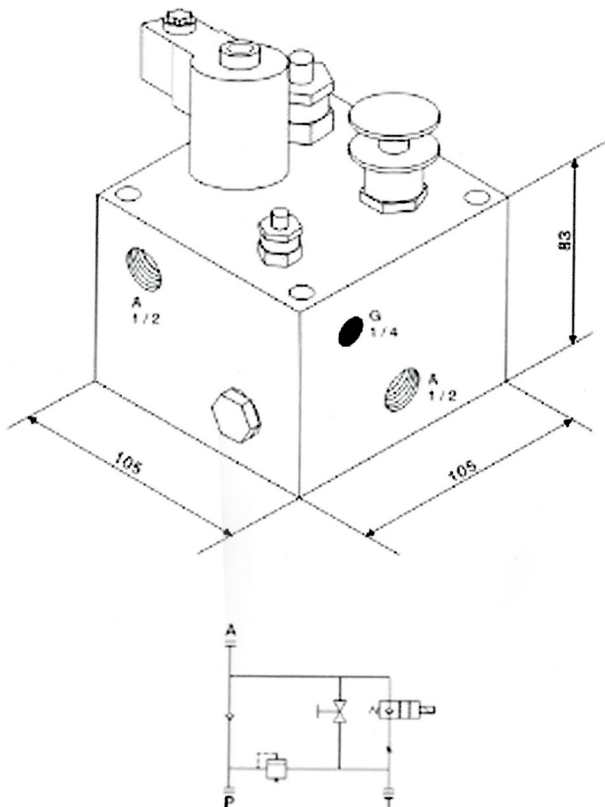


### THE DRAWING OF DIMENSION

#### ET-04

Used in hydraulic lifting platform under solenoid valve voltage of AC 220V, AC 110V or DC24V. The whole lift process can be done stably and the rate of the decline will not be influenced by the load.



### SPECIFICATION:

MODEL	Normally Closed	Maximum Flow l/min	Maximum Working Pressure Kgf/cm <sup>2</sup>	Temperature	Connection	Weight kg
ET-02	NC	20	210	-20°C-120°C	Cartridge Outlet 2-way	2.1
ET-04	NC	40	210	-20°C-120°C		2.1