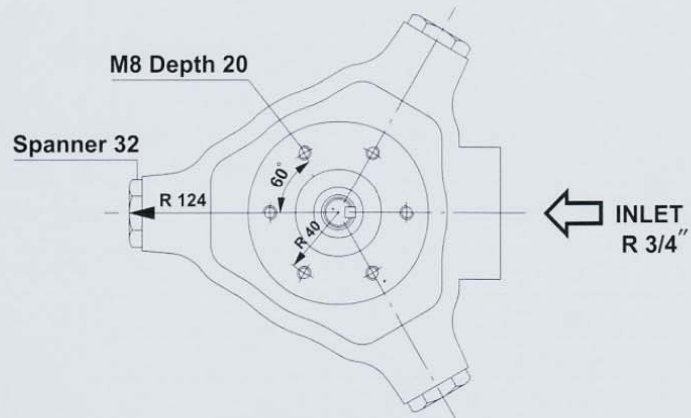
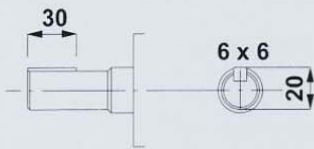
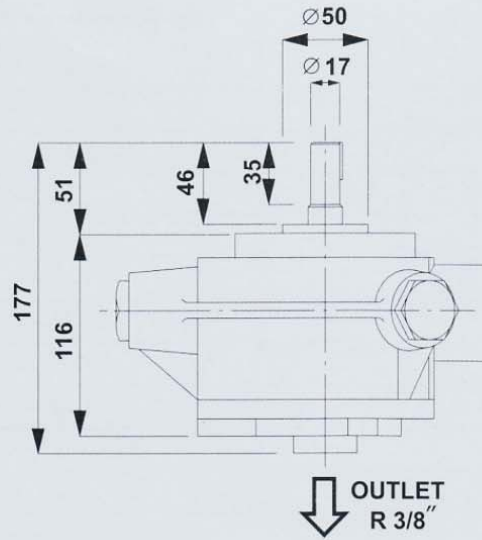


RADIAL PISTON PUMPS

MOUNTING DRAWING

RADIAL PISTON PUMP PR 25-50



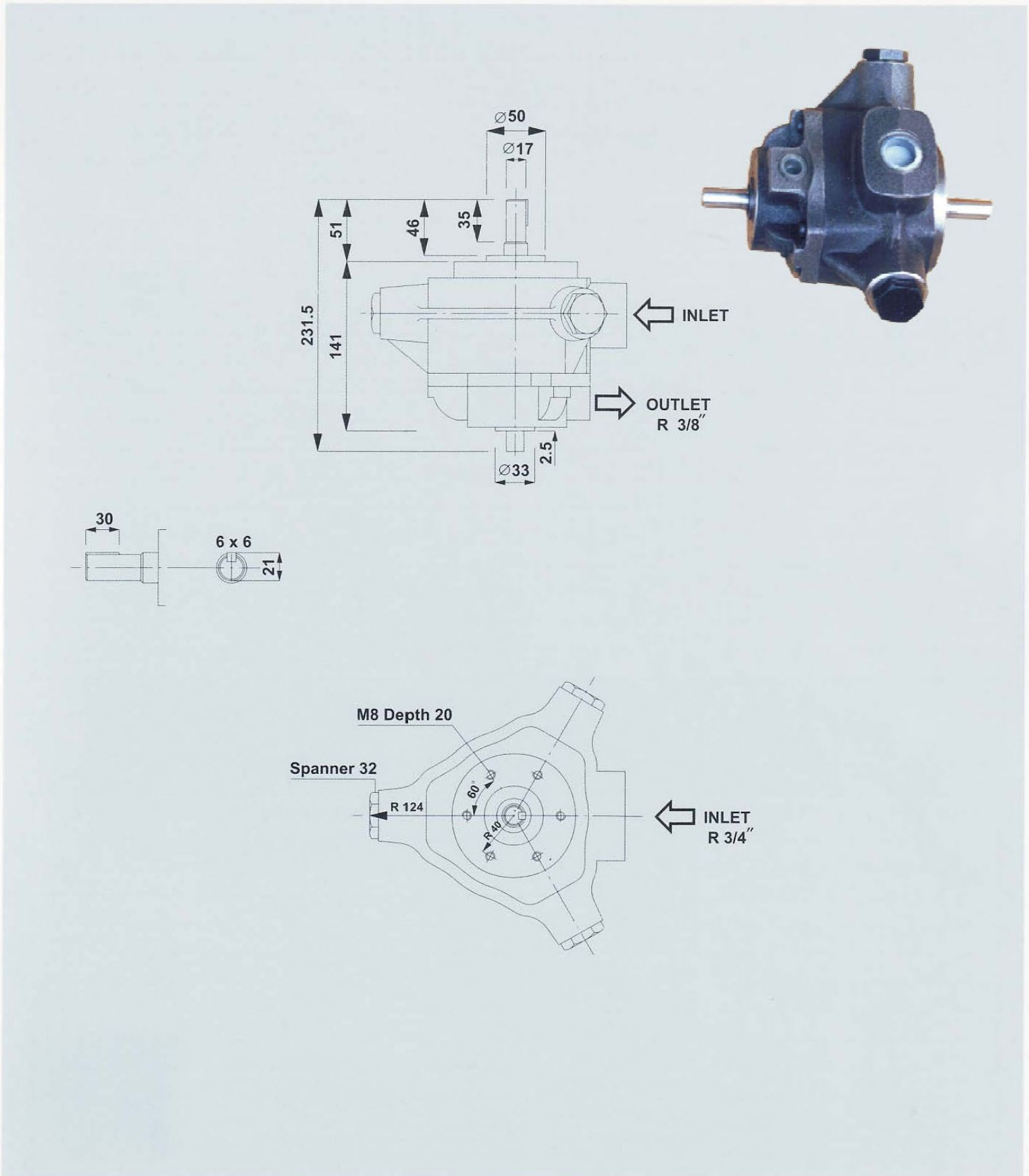
FLOW - PRESSURE - R.P.M

Model	cm ³ /rev	P.max bar	Q nom l/ min	R.P.M max	KW	Shaft size	Weight kg
PR 25	1.8	600	2.5	1450	2.8	17	12.6
PR 50	3.6	600	5	1450	5.7	17	12.6

RADIAL PISTON PUMPS

MOUNTING DRAWING

RADIAL PISTON PUMP PR 25-50



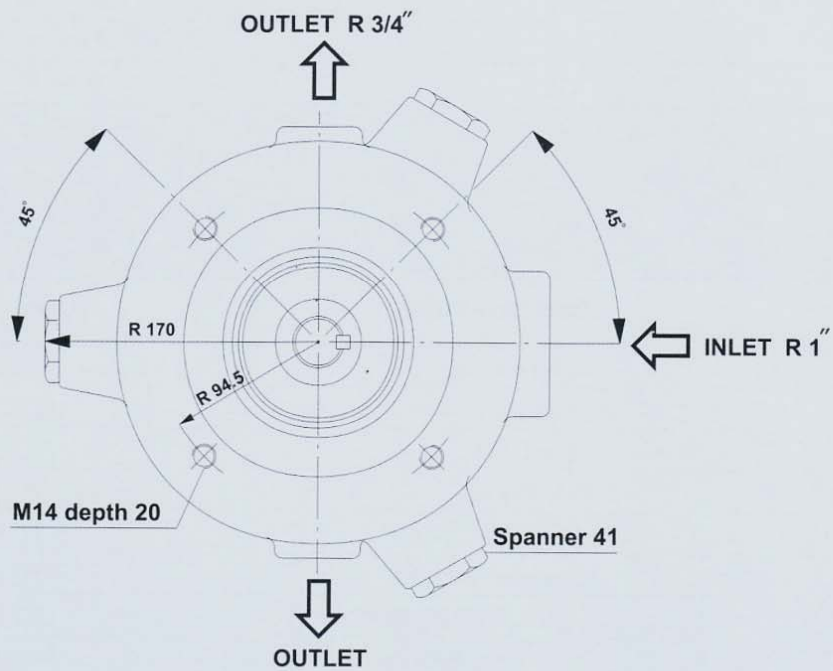
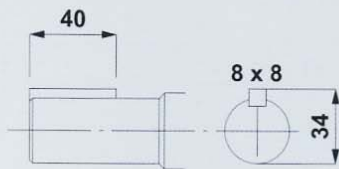
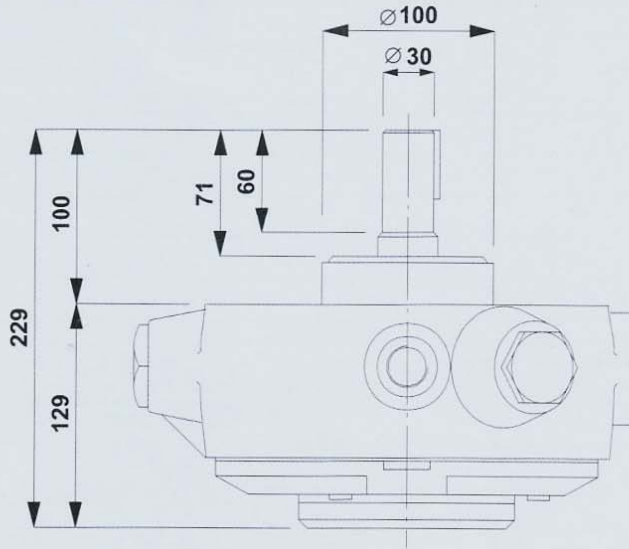
FLOW - PRESSURE - R.P.M

Model	cm ³ /rev	P.max bar	Q nom 1/ min	R.P.M max	KW	Shaft size	Weight kg
PR 25	1.8	600	2.5	1450	2.8	17	12.6
PR 50	3.6	600	5	1450	5.7	17	12.6

RADIAL PISTON PUMPS

MOUNTING DRAWING

RADIAL PISTON PUMP PR3



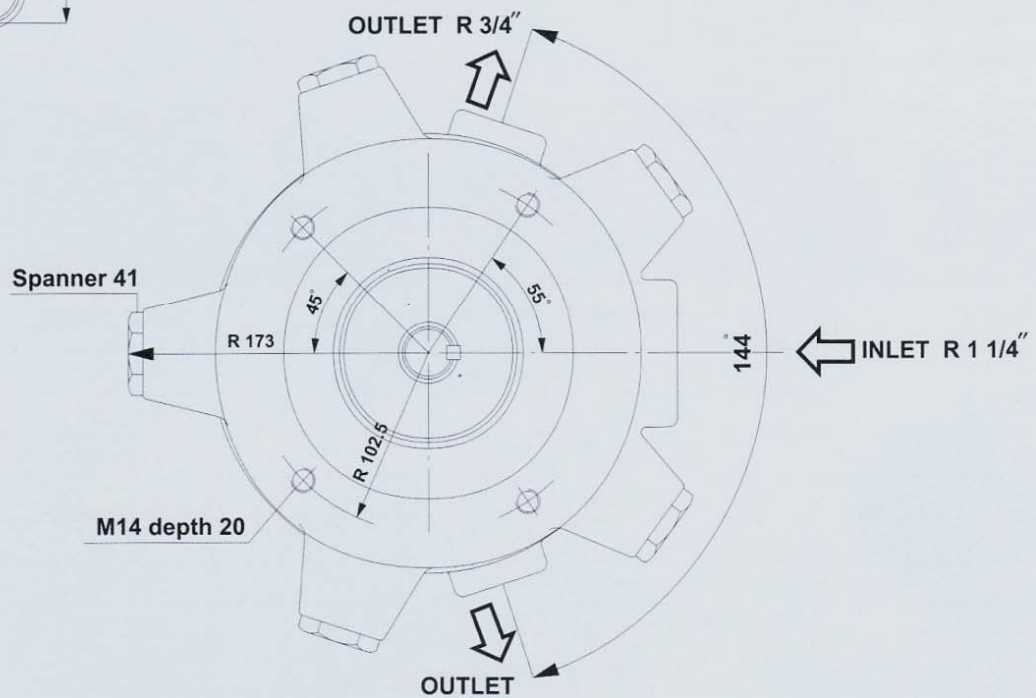
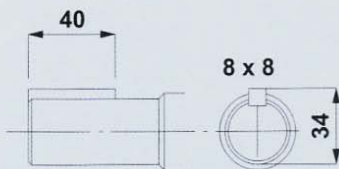
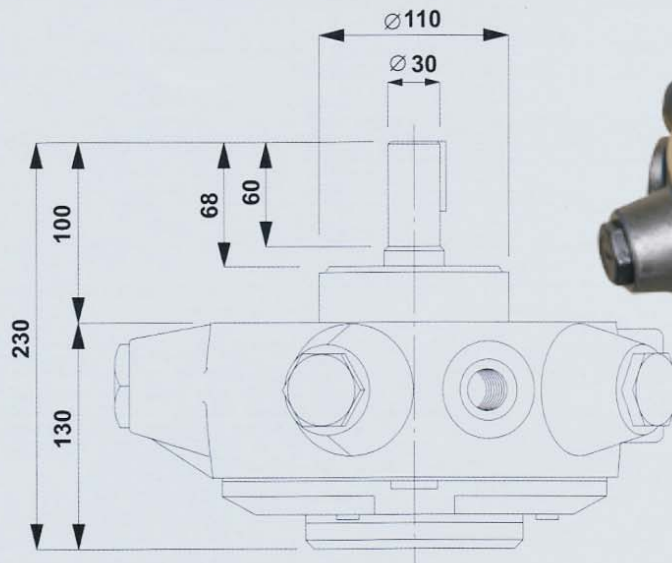
FLOW - PRESSURE - R.P.M

Model	cm ³ /rev	P.max bar	Q nom l/ min	R.P.M max	KW	Shaft size	Weight kg
PR 305	6.89	400	10	1450	7.5	30	33
PR 308	11.72	400	17	1450	13	30	33
PR 310	14.48	400	21	1450	16	30	33

RADIAL PISTON PUMPS

MOUNTING DRAWING

RADIAL PISTON PUMP PR5



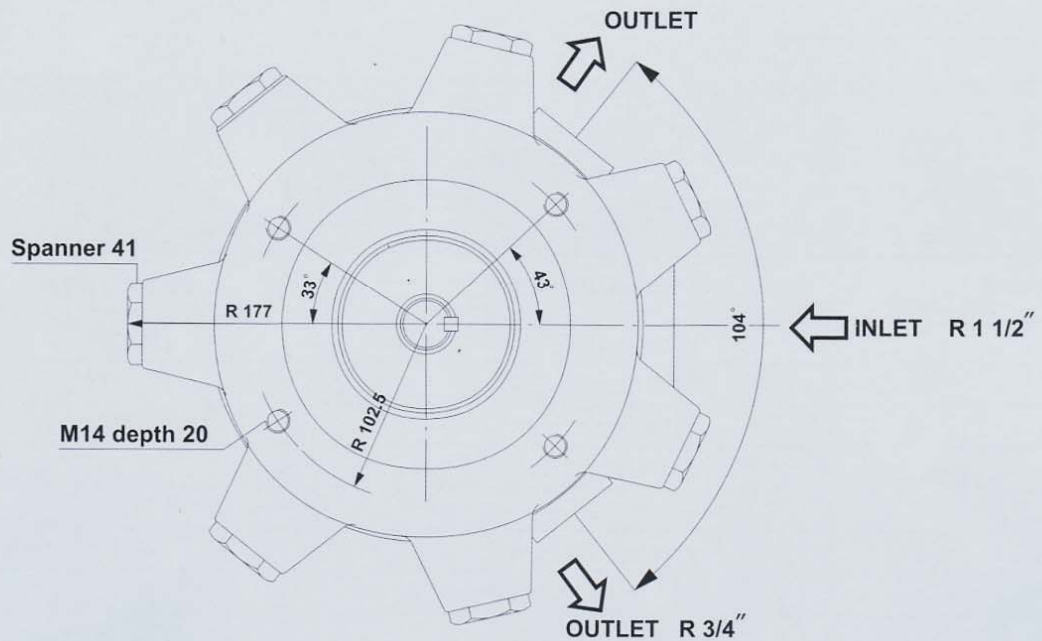
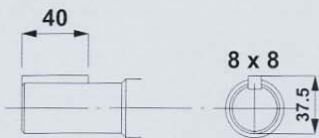
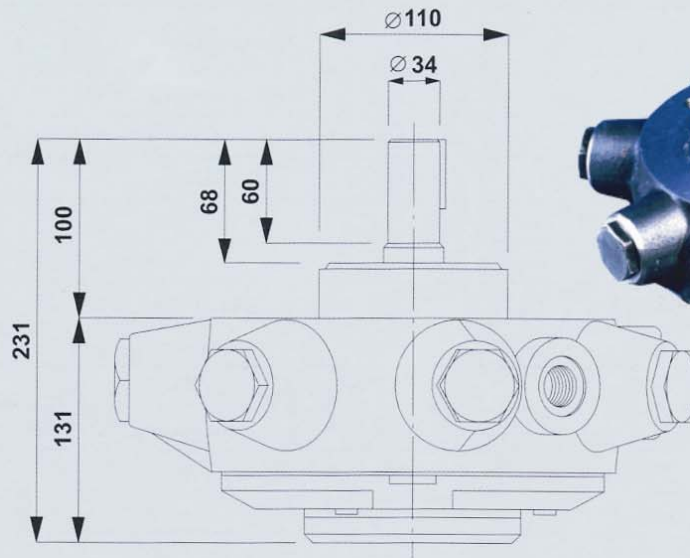
FLOW - PRESSURE - R.P.M

Model	cm ³ /rev	P.max bar	Q nom l/ min	R.P.M max	KW	Shaft size	Weight kg
PR 508	19.32	350	28	1450	18	30	39
PR 510	24.14	350	35	1450	23	30	39
PR 512	29.00	350	42	1450	28	30	39
PR 514	33.10	350	48	1450	32	30	39

RADIAL PISTON PUMPS

MOUNTING DRAWING

RADIAL PISTON PUMP PR7



FLOW - PRESSURE - R.P.M

Model	cm ³ /rev	P.max bar	Q nom l/ min	R.P.M max	KW	Shaft size	Weight kg
PR 712	41.40	350	60	1450	40	34	42.5
PR 714	48.27	350	70	1450	47	34	42.5
PR 714EX	60	250	87	1450	41.8	34	42.5

EX external

DOUBLE PUMPS

MOUNTING DRAWING

DOUBLE PUMPS DPR14(7+7)

