

MRV series modular relief valves can control flow for positive direction pass oil port. Flow can be adjusted by handle. It passes to check valve for reverse flow.

### Ordering details

MRV	02	P	K	1	20
Sort	Nominal size	Relief form	Adjustment type	Pressure adjustment range	Design code
Modular relief valve	02:NG6 Cetop3 03:NG10 Cetop5 04:NG16 Cetop7 06:NG22 Cetop8	P:P→T A:A→T B:B→T C:A→T B→T D:A→B B→A	No code: Without knob K: With plastic knob	1:8~70bar 2:35~140bar 3:70~250bar	20

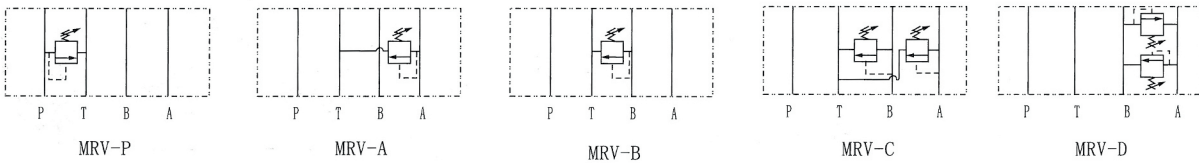


### Technical specification

Model		MRV-02	MRV-03	MRV-04	MRV-06
Max. flow rate (l/min)		35	70	200	450
Working pressure (MPa)		25			
Weight(kgs)	A, B, P	1.5	3.3	6	12.2
	C, D	1.7	3.7	—	—



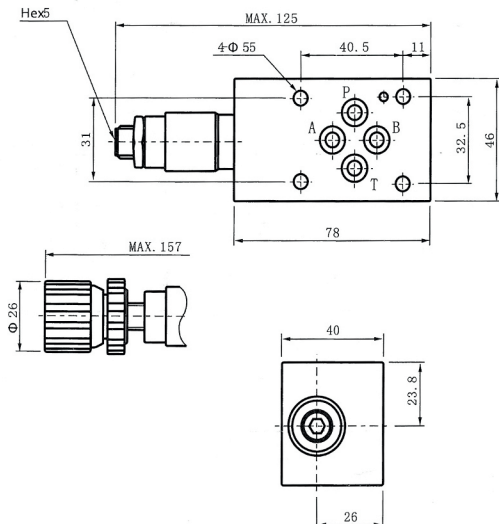
### Symbol list



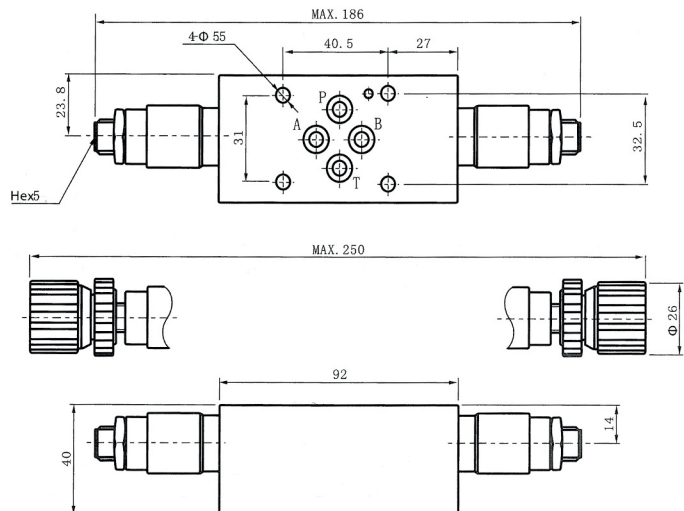
### Dimensions

Unit: mm

#### MRV-02A



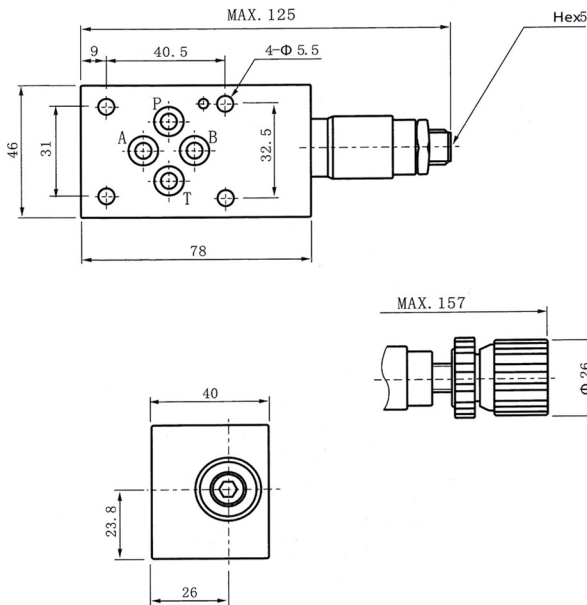
#### MRV-02C



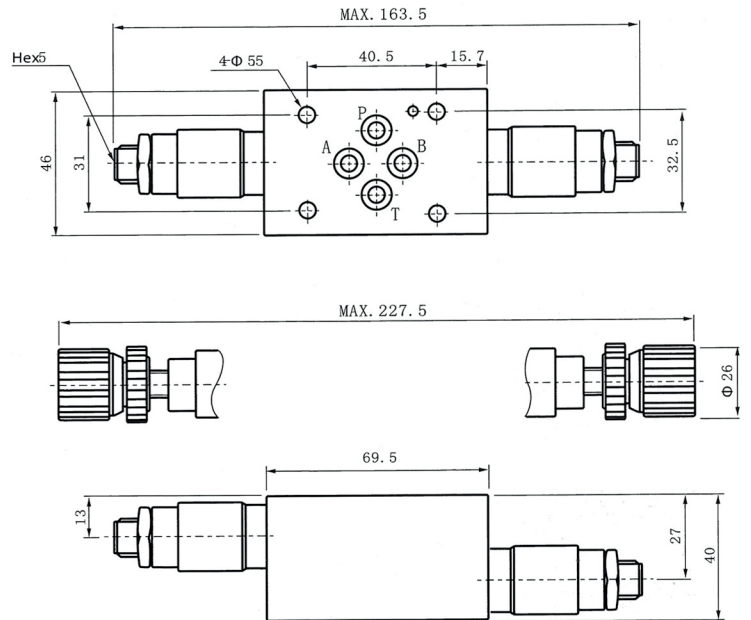
### Dimensions

Unit: mm

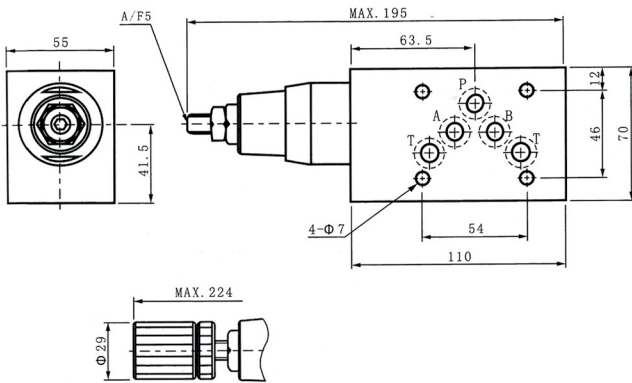
#### MRV-02B/P



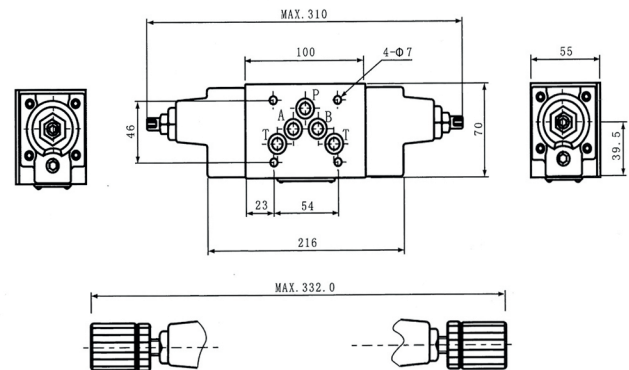
#### MRV-02D



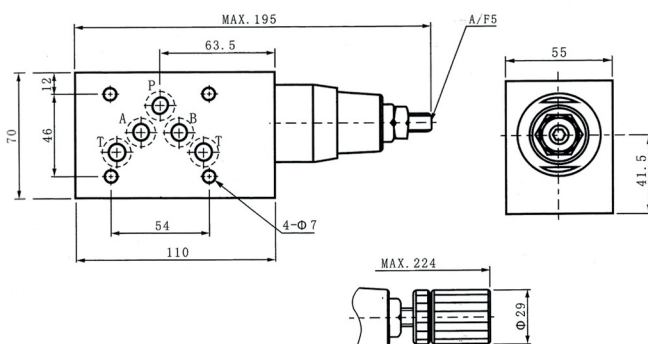
#### MRV-03A



#### MRV-03C



#### MRV-03B/P



#### MRV-03D

